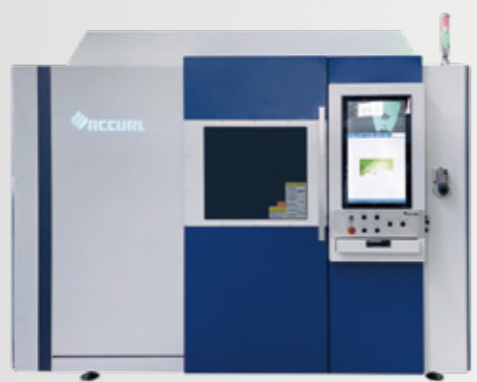


MasterLINE
▶▶ NEXT



Shaping your future



Shaping your future

ACCURL CNC MACHINE (ANHUI) MANUFACTORY CO.LTD
Industrial Park In Bowang Ma' anshan,Anhui,China

T | +86 555 2780 563 F | +86 555 2780 553 M | +86 18855551088
www.accurl.com | info@accurl.com



Sustainable cutting solutions

Next Level...

... The power to change everything.

WHY ACCURL LASER CUTTING?

Innovative Modular Design:

- < Our machines can also be combined with automation modules to create a complete system for the whole working process
- < Customized solutions at a reasonable price, from basic to high end machine.

Experience:

- < 33 years of experience and more than 12,000 installed machines.
- < An expert R&D team committed to research the most competitive technology for our customers.

More Varied Solutions for Cutting:

- < Sustainability and social responsibility are characteristics of modern companies and add to competitiveness.
- < Comprehensive range of basic tools in stock and modified solutions according to customer needs.

ACCURL High Quality Equipment:

- < The critical parts of the Accurl laser machine are manufactured in Germany.
- < We rely on our quality and therefore give our laser cutting machine a 3-year warranty.
- < The IPG Fiber Generator. Power from 1Kw To 30kW.

After-Sales Service:

- < Our skilled service team responds to unforeseen production disruptions within 24 hours of contacting us.



**BEST
QUALITY
HIGH
ACCURACY**

MasterLINE NEXT

ACCURL® Based on machinery design technology optimized through strict structural analysis, ACCURL has been manufacturing ultralight and high-precision industrial high energy laser cutting machines



The MasterLINE series of laser cutting machines are characterized by [high dynamics](#) and [top quality](#).

They achieve a positioning [speed of up to 180m/min](#) and an [acceleration of 3G](#).

Each laser cutter is available with a fiber laser source with [power from 1 to 30 kW](#)

WARRANTY*
3 YEARS
ACCURL

DON'T SETTLE
FOR A STANDARD LASER CUTTING,
CHOOSE A SUPERCUSTOM!

◀ Laser cutting.
The most flexible tool ever.



FLEXIBLE

Suitable for a wide range of materials, including highly-reflective metals and high thickness mild steel. Ready for round, square and rectangular tubes.



RELIABLE

Fully-tested and reliable thanks to the 11 years of experience with the MasterLINE platform.



PROFITABLE

Low operating costs thanks to energy efficiency and reduced maintenance.



USER FRIENDLY

Single focusing lens system with automatic nozzle changer. Easy to use programming software and Prima Power operator interface.

- > HypCut 8000 Control System
- > Precitec Cutting Head Pro Cutter 1.0
- > 30 [kw] Max. Laser Power Ipg
- > Rexroth Highly Dynamic Servo Drive
- > CAD/CAM Software Nesting. Libellula .cut
- > 3 [g] Max. Acceleration
- > Class Iv Safety System And Ce Marking
- > 200 [m/min] Max Positioning Speed
- > 0,1 [mm] Cutting Accuracy
- > 180 [m/min] Max. Cutting Speed
- > 0,03 [m/m] Repeatability
- > Automatic Nozzle Cleaning 2.0
- > Graphite Anti-burn Technology.
- > Industry 4.0 For Twincat lot



AVAILABLE
FEATURES
AND OPTIONALS



ACCURL

I P G
PHOTONICS

HYP CUT TWINCAT CONTROL UNIT

The ACCURL Masterline Fiber Laser is controlled with a HypCut FSCUT 8000 CNC control unit which provides unprecedented control of the cutting process, also can optional with BECKHOFF.

BECKHOFF

optional



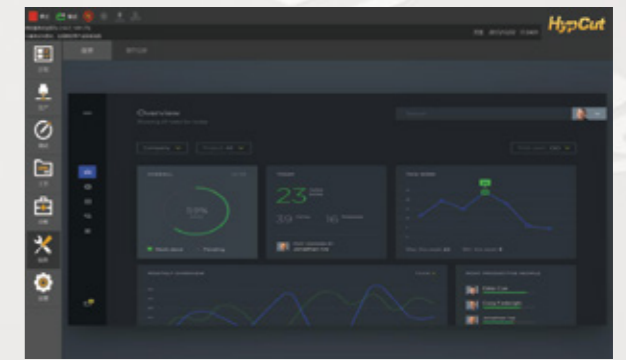
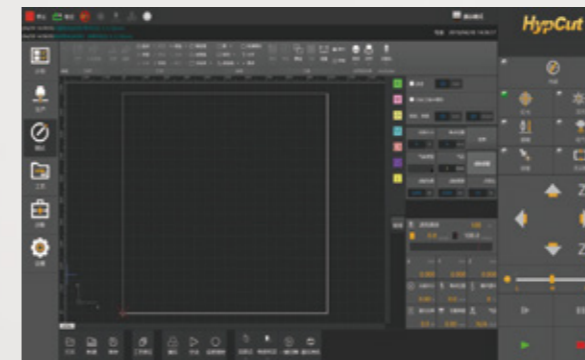
ADVANTAGE

- › 17" high resolution colour TFT
- › High-speed EtherCAT communication
- › TwinCAT: software for engineering and runtime
- › Highly dynamic servo drive technology
- › Integrated retention brake control.
- › Automatic adaptation of parameters.
- › Adjustable error reaction.



SUCCESSFULLY CONTROLLING PRECISION

HypCut CNC controllers are used in laser cutting machine, and the TwinCAT NC I/CNC automation software is ideally suited for application-specific functions, including adaptive jet control, reverse travel or path resetting.



SUCCESSFULLY CONTROLLING PRECISION

ACCURL® advocated its own new IoT technology as "Intelligent Internet of things factory", termed the "Smart-Factory".



THE WORLD OF SHEET PROCESSING

QUALITY STEEL FRAMES

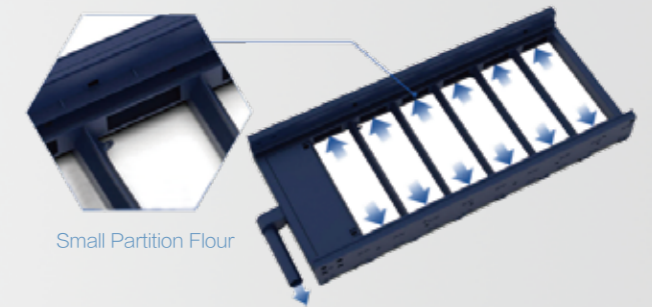
ACCURL steel frames undergo annealing at over 600° to relieve stress, and they are built to last years of heavy use without distortion.

ADVANTAGE

- › Very stiff and stable base frame
- › Deformation simulation made by CAE
- › Eight(8) zone & ducted exhaust system
- › Dual synchronized twin servo motor drive system
- › Helical rack & slant pinion drive system enables very smooth Movements.

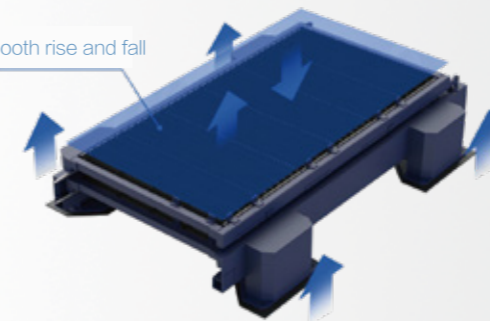
FUME EXTRACTION SYSTEM

Efficient fume extraction by means of shutters which are controlled in accordance with cutting head position results in more efficient use of the filtration system.



Small Partition Flap

Smooth rise and fall

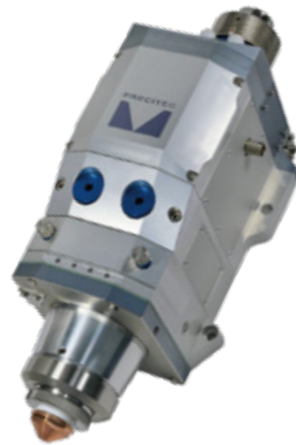


AUTO SHUTTLE TABLE

The available shuttle tables on all machine models are fully electric and maintenance free: there are no hydraulic oils to handle and the table changes take place fast, smooth and energy-efficient..

PRECITEC® LASER CUTTING HEAD

Dynamic laser cutting machines require lightweight, intelligent cutting heads. Even installed in the smallest possible space, the ProCutter offers a fully-integrated sensor system that monitors the cutting process and provides the user with relevant information. The head ensures that each component can be reproducibly manufactured at a high standard of quality.



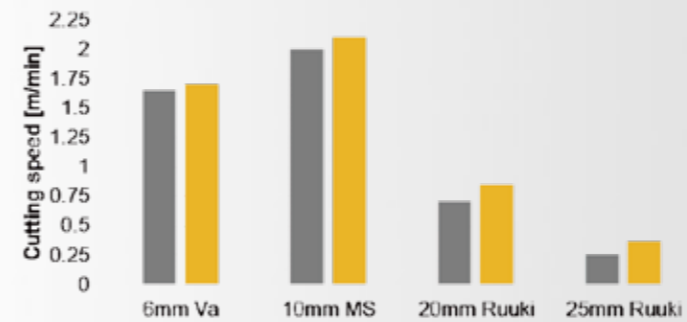
CUTTING HEAD PRECITEC PROCUTTER

With the new ProCutter 2.0 generation, the highest cutting speeds can be achieved that were previously unthinkable. The cutting head works trouble-free up to 30 kW laser power thanks to its sophisticated cooling concept and the extended travel paths.



- Maximum stamina!**
 It cuts and cuts and cuts...
- Easy parameter finding!**
 Quality ↗ Process window ↗
- Faster & more efficient!**
 Speed ↗ Gas efficiency ↗
- More laser-on-time!**
 Save time and costs.

ProCutter 1.0 vs. ProCutter 2.0



● standard

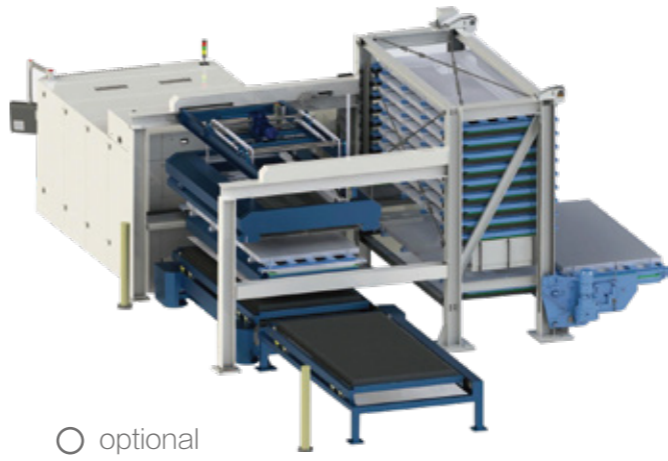
○ optional



COST SAVINGS FROM OPTIMAL CUTTING QUALITY

ITEMS	SPECIFICATIONS
Fiber Laser Power	3Kw, 4Kw, 6Kw, 10Kw, 12Kw, 15Kw, 20Kw, 30Kw
Maximum Capacity	12000 x 3000mm
Maximum Axis Speed	200m/min, X And Y
Maximum Spontaneous Axis Speed	180m/min, X And Y
Acceleration	3 G
Positioning	±0.03mm
Repetition Accuracy	±0.02mm
Table Change Time	± 25 Seconds
Monitor	21" Flat Touch Panel
Operating System	BECKHOFF ,HPYCUT 8000
Data Communication	USB, Ethernet LAN

SPECIFICATIONS



○ optional

AUTOMATIC LOADING & UNLOADING SYSTEM SMART-LIFTER

Further automation and flexibility can be achieved by adding one or two sheet storage towers on loading and unloading side. This opens the way to full automatic production.